

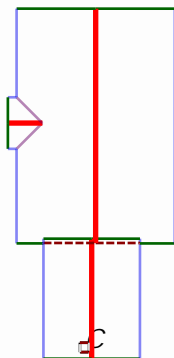
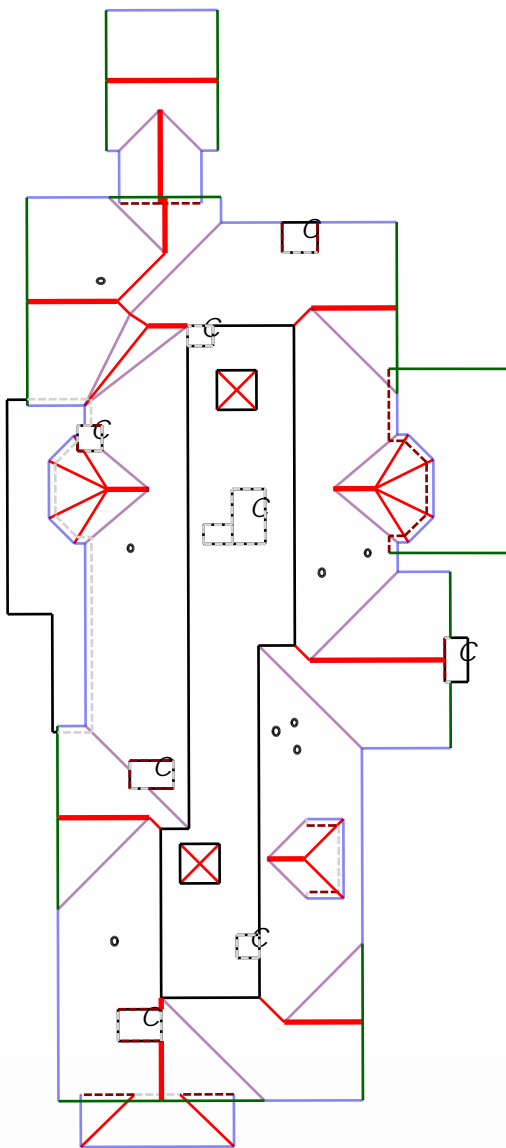


Roofing 1
 John-Doe@GMail.com
 2811234567
 123 Street City, Texas 77095

Property Address:
 123 Sample St
 Houston, TX 75060

This Report is Made by:
RoofEZ.com
 Accurate Measurements, EZ Savings!
 We take measuring to the next level

Roof First Page



Roof Summary Info
Total Squares: 125SQ
Total Area: 12490sqft
Slope Area: 10674sqft
Flat Area: 1817sqft
Stories >=2 area: 9533.9sqft
Adjusted Planes: 90

Ridge Count: 17
 Ridge Length: 209'
 Eave Count: 43
 Eave Length: 439'
 Rake Count: 31
 Rake Length: 469'
 Hip Count: 29
 Hip Length: 248'
 Valley Count: 22
 Valley Length: 366'
 Apron Flashing Length: 195'
 Step Flashing Length: 176'
Total Chimneys: 9
Pipe Vents: 8

Report Contents

Length Diagram	page 2
Pitch Diagram	page 3
Area Diagram	page 4
Notes Diagram	page 5
Images	page 7
Waste Calculation	page 8



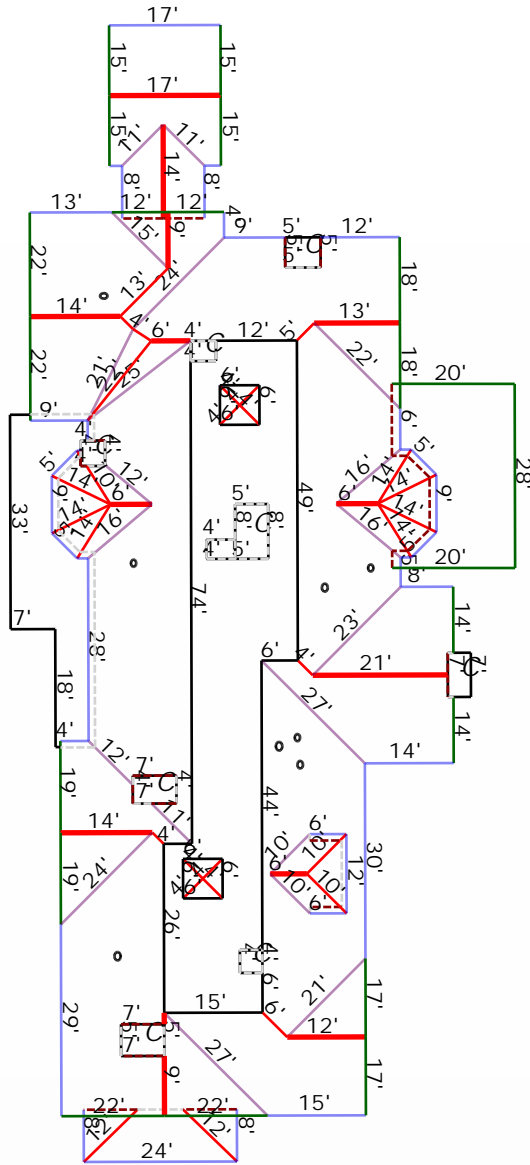


Roofing 1
John-Doe@GMail.com
2811234567
123 Street City, Texas 77095

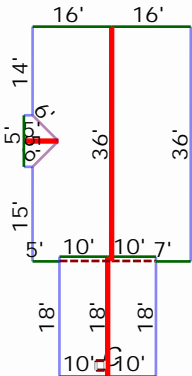
Property Address:
123 Sample St
Houston, TX 75060

This Report is Made by:
RoofEZ.com
Accurate Measurements, EZ Savings!
We take measuring to the next level

Length Diagram



Ridge Length: 209'
Eave Length: 439'
Rake Length: 469'
Hip Length: 248'
Valley Length: 366'
Step Flashing Length: 176'
Apron Flashing Length: 195'



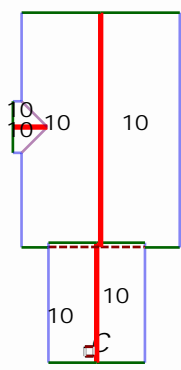
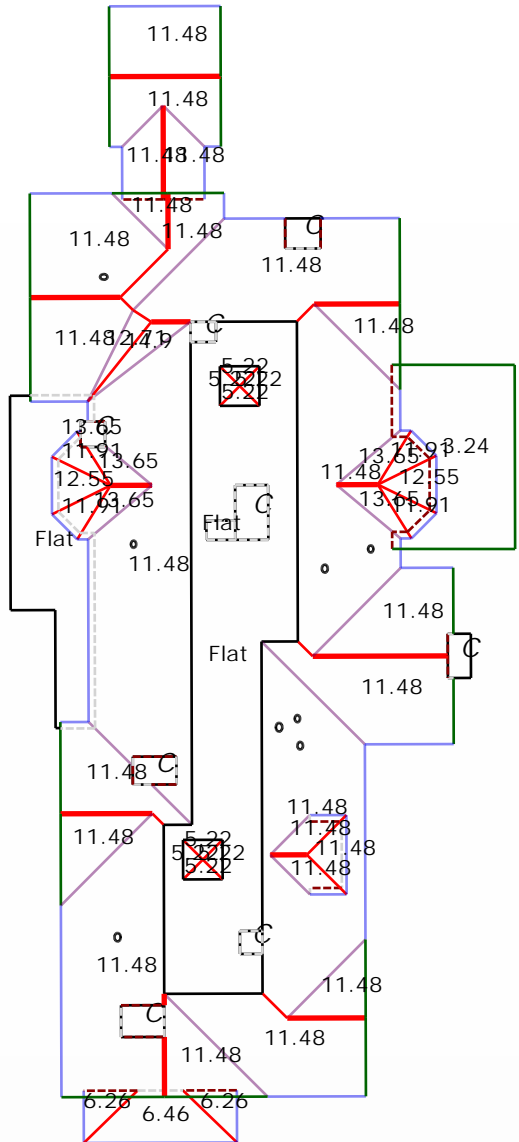


Roofing 1
John-Doe@GMail.com
2811234567
123 Street City, Texas 77095

Property Address:
123 Sample St
Houston, TX 75060

This Report is Made by:
RoofEZ.com
Accurate Measurements, EZ Savings!
We take measuring to the next level

Pitch Diagram





Roofing 1
 John-Doe@GMail.com
 2811234567
 123 Street City, Texas 77095

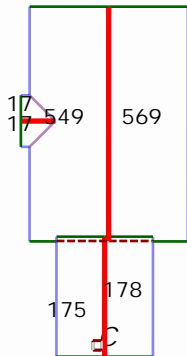
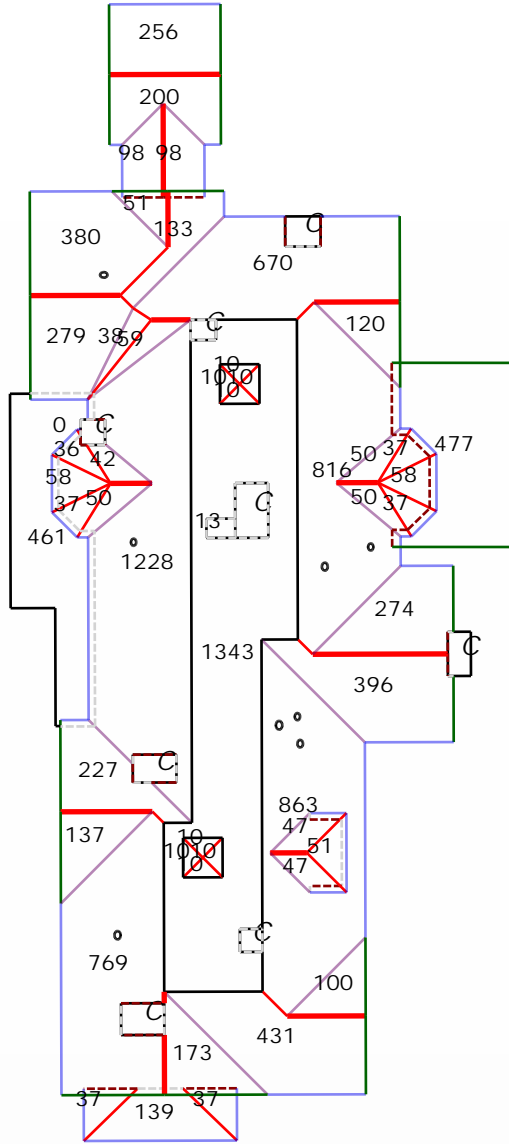
Property Address:
 123 Sample St
 Houston, TX 75060

This Report is Made by:
RoofEZ.com
 Accurate Measurements, EZ Savings!
 We take measuring to the next level

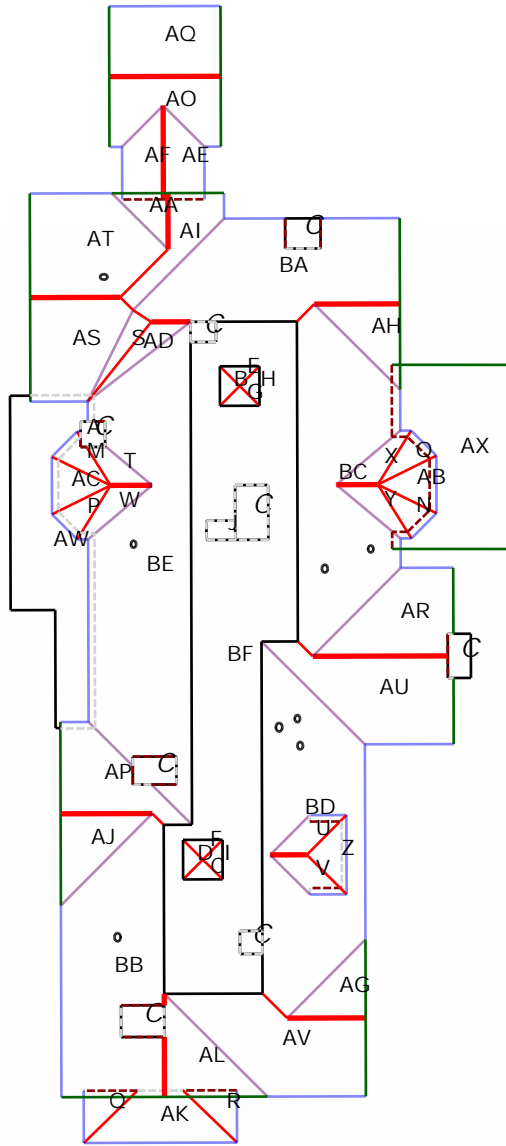
Area Diagram



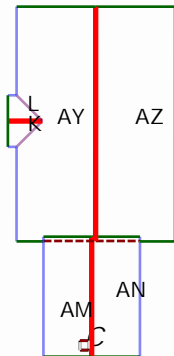
Total Squares: 125SQ
 Total Area: 12490sqft
 Adjusted Planes: 90



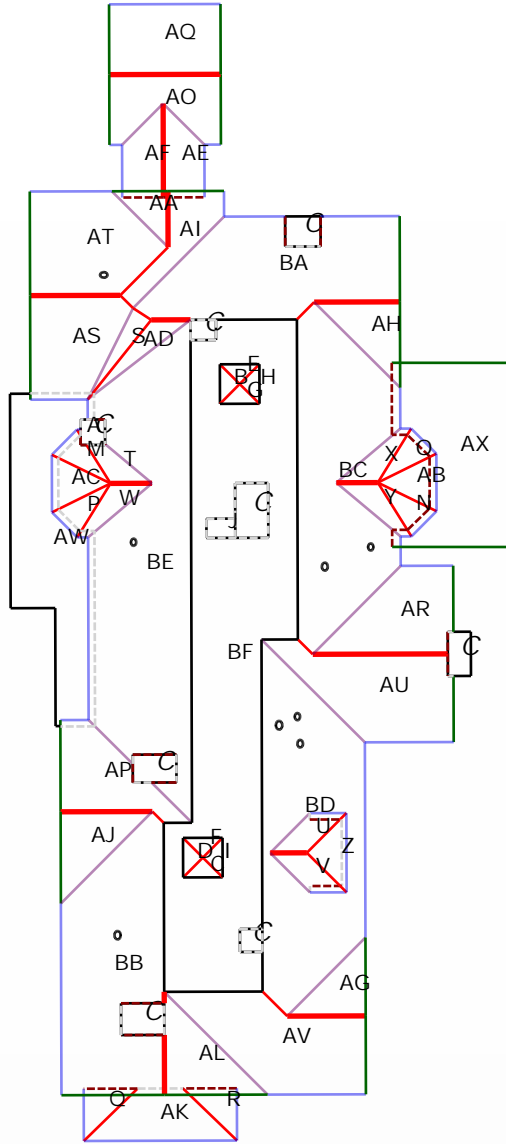
Notes Diagram



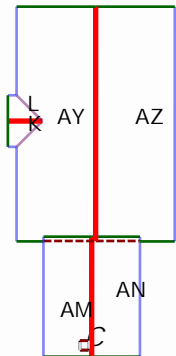
- A : 0.39 sqft.
- B : 10 sqft.
- C : 10 sqft.
- D : 10 sqft.
- E : 10 sqft.
- F : 10 sqft.
- G : 10 sqft.
- H : 10 sqft.
- I : 10 sqft.
- J : 13 sqft.
- K : 17 sqft.
- L : 17 sqft.
- M : 36 sqft.
- N : 37 sqft.
- O : 37 sqft.
- P : 37 sqft.
- Q : 37 sqft.
- R : 37 sqft.
- S : 38 sqft.
- T : 42 sqft.
- U : 47 sqft.
- V : 47 sqft.
- W : 50 sqft.
- X : 50 sqft.
- Y : 50 sqft.
- Z : 51 sqft.
- AA : 51 sqft.
- AB : 58 sqft.
- AC : 58 sqft.
- AD : 59 sqft.
- AE : 98 sqft.
- AF : 98 sqft.
- AG : 100 sqft.
- AH : 120 sqft.
- AI : 133 sqft. (6 edges, 2 planes)
- AJ : 137 sqft.
- AK : 139 sqft.
- AL : 173 sqft.
- AM : 175 sqft.
- AN : 178 sqft.
- AO : 200 sqft.
- AP : 227 sqft. (7 edges, 2 planes)
- AQ : 256 sqft.
- AR : 274 sqft.
- AS : 279 sqft.



Notes Diagram



- AT : 380 sqft.
- AU : 396 sqft. (7 edges, 2 planes)
- AV : 431 sqft. (6 edges, 2 planes)
- AW : 461 sqft. (10 edges, 2 planes)
- AX : 477 sqft. (7 edges, 2 planes)
- AY : 549 sqft. (8 edges, 2 planes)
- AZ : 569 sqft.
- BA : 670 sqft. (13 edges, 3 planes)
- BB : 769 sqft. (8 edges, 2 planes)
- BC : 816 sqft. (9 edges, 2 planes)
- BD : 863 sqft. (12 edges, 3 planes)
- BE : 1228 sqft. (12 edges, 3 planes)
- BF : 1343 sqft. (26 edges, 6 planes)
- CHIMNEY(s) : 9 planes.





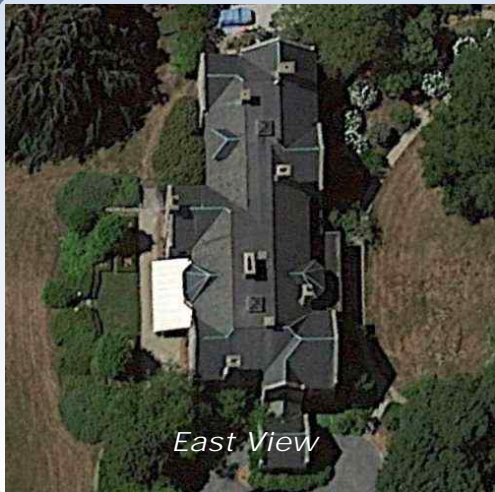
Roofing 1
John-Doe@GMail.com
2811234567
123 Street City, Texas 77095

Property Address:
123 Sample St
Houston, TX 75060

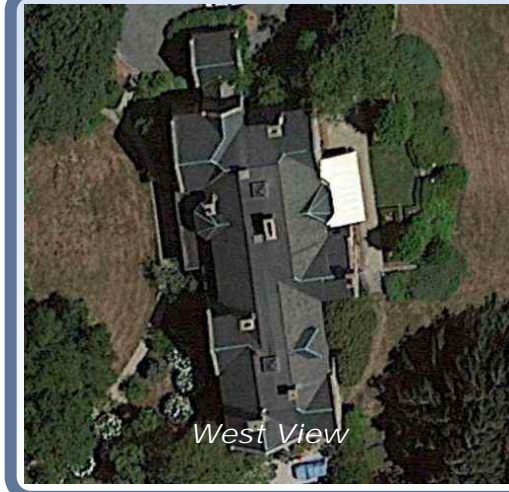
This Report is Made by:
RoofEZ.com
Accurate Measurements, EZ Savings!
We take measuring to the next level



Top View



East View



West View



South View



North View



Roofing 1
 John-Doe@GMail.com
 2811234567
 123 Street City, Texas 77095

Property Address:
 123 Sample St
 Houston, TX 75060

This Report is Made by:
RoofEZ.com
 Accurate Measurements, EZ Savings!
 We take measuring to the next level

Waste calculation

Waste %	0%	5%	10%	15%	20%	25%
Area (sqft)	12,490	13,115	13,740	14,364	14,989	15,613
Squares:	124.9SQ	131.2SQ	137.4SQ	143.6SQ	149.9SQ	156.1SQ

Only roof area is included in these waste calculations.
 Additional materials needed for ridge, hip, valley, and starter lengths are not included.

Roof Summary Information

Total Area: 12490sqft; 125SQ;

(Slope: 10674sqft; Flat: 1817sqft;)

Ridge Length: 209' (17 ridges)

Eave Length: 439' (43 eaves)

Rake Length: 469' (31 rakes)

Hip Length: 248' (29 hips)

Valley Length: 366' (22 valleies)

Apron Flashing: 195'

Step Flashing: 176'

Chimneys: 9

Major Pitch: 11.48/12

[sorted by sq ft.]

Pitch: 11.48/12 Area: 7847sqft

Flat Area: 1817sqft

Pitch: 10.00/12 Area: 1505sqft

Pitch: 3.24/12 Area: 477sqft

Pitch: 13.65/12 Area: 194sqft

Pitch: 11.91/12 Area: 145sqft

Pitch: 6.46/12 Area: 139sqft

Pitch: 12.55/12 Area: 115sqft

Pitch: 5.22/12 Area: 80sqft

Pitch: 6.26/12 Area: 75sqft

Pitch: 14.90/12 Area: 59sqft

Pitch: 12.71/12 Area: 38sqft

[sorted by pitch.]

Pitch: 14.90/12 Area: 59sqft

Pitch: 13.65/12 Area: 194sqft

Pitch: 12.71/12 Area: 38sqft

Pitch: 12.55/12 Area: 115sqft

Pitch: 11.91/12 Area: 145sqft

Pitch: 11.48/12 Area: 7847sqft

Pitch: 10.00/12 Area: 1505sqft

Pitch: 6.46/12 Area: 139sqft

Pitch: 6.26/12 Area: 75sqft

Pitch: 5.22/12 Area: 80sqft

Pitch: 3.24/12 Area: 477sqft

Flat Area: 1817sqft

