

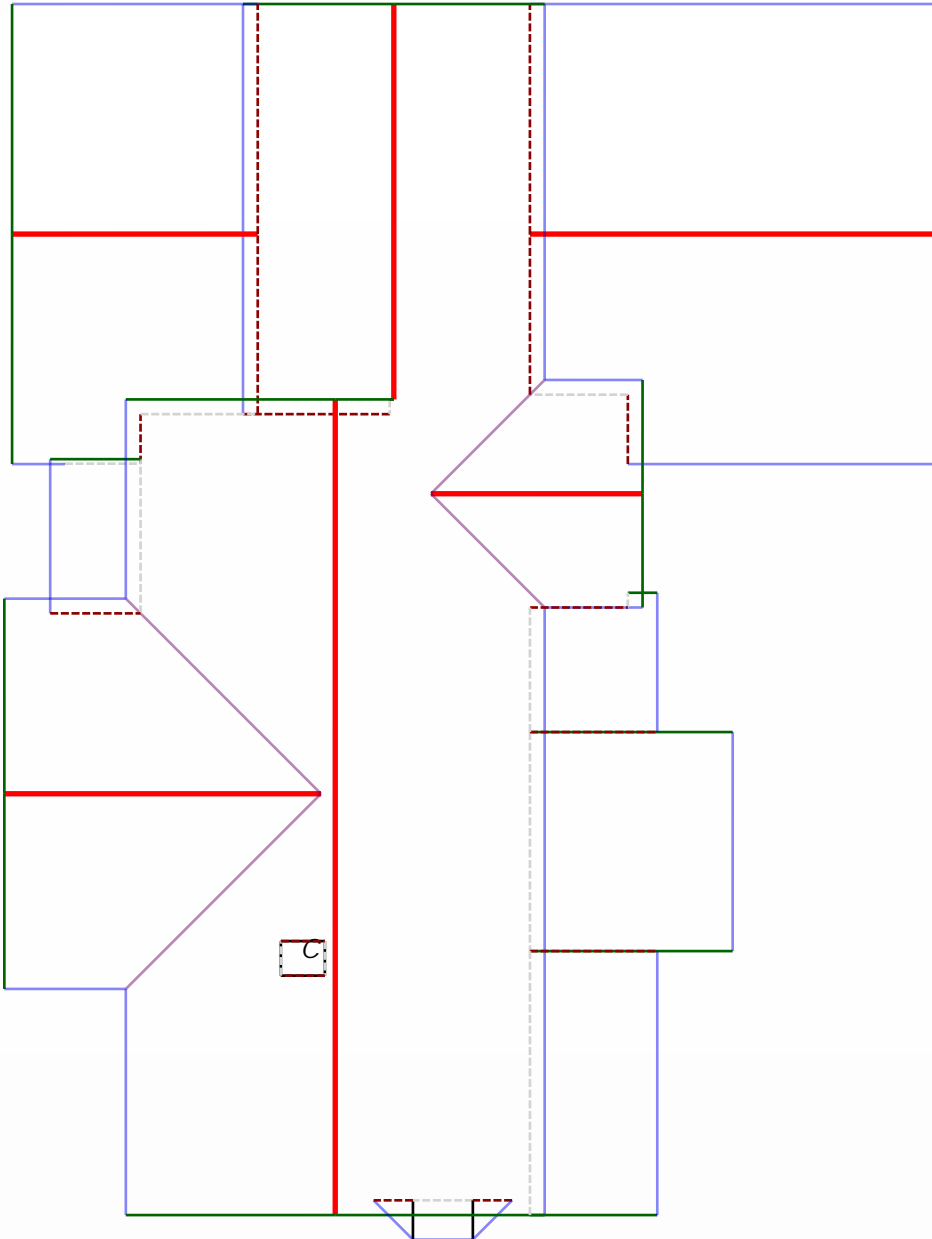


Roofing 1
 John-Doe@GMail.com
 2811234567
 123 Street City, Texas 77095

Property Address:
 123 Sample St
 Houston, TX 75060

This Report is Made by:
RoofEZ.com
 Accurate Measurements, EZ Savings!
 We take measuring to the next level

Roof First Page



Roof Summary Info

Total Squares: 49SQ
 Total Area: 4919sqft
 Slope Area: 4919sqft
 Flat Area: 0sqft
 Two story area: 2850.8sqft
 Total Planes: 23

Ridge Count: 6
 Ridge Length: 160'
 Eave Count: 20
 Eave Length: 282'
 Rake Count: 19
 Rake Length: 248'
 Hip Count: 0
 Hip Length:
 Valley Count: 4
 Valley Length: 65'
 Apron Flashing Length: 81'
 Step Flashing Length: 131'
 Total Chimneys: 1

Report Contents

Length Diagram	page 2
Pitch Diagram	page 3
Area Diagram	page 4
Notes Diagram	page 5
Images	page 6
Waste Calculation	page 7



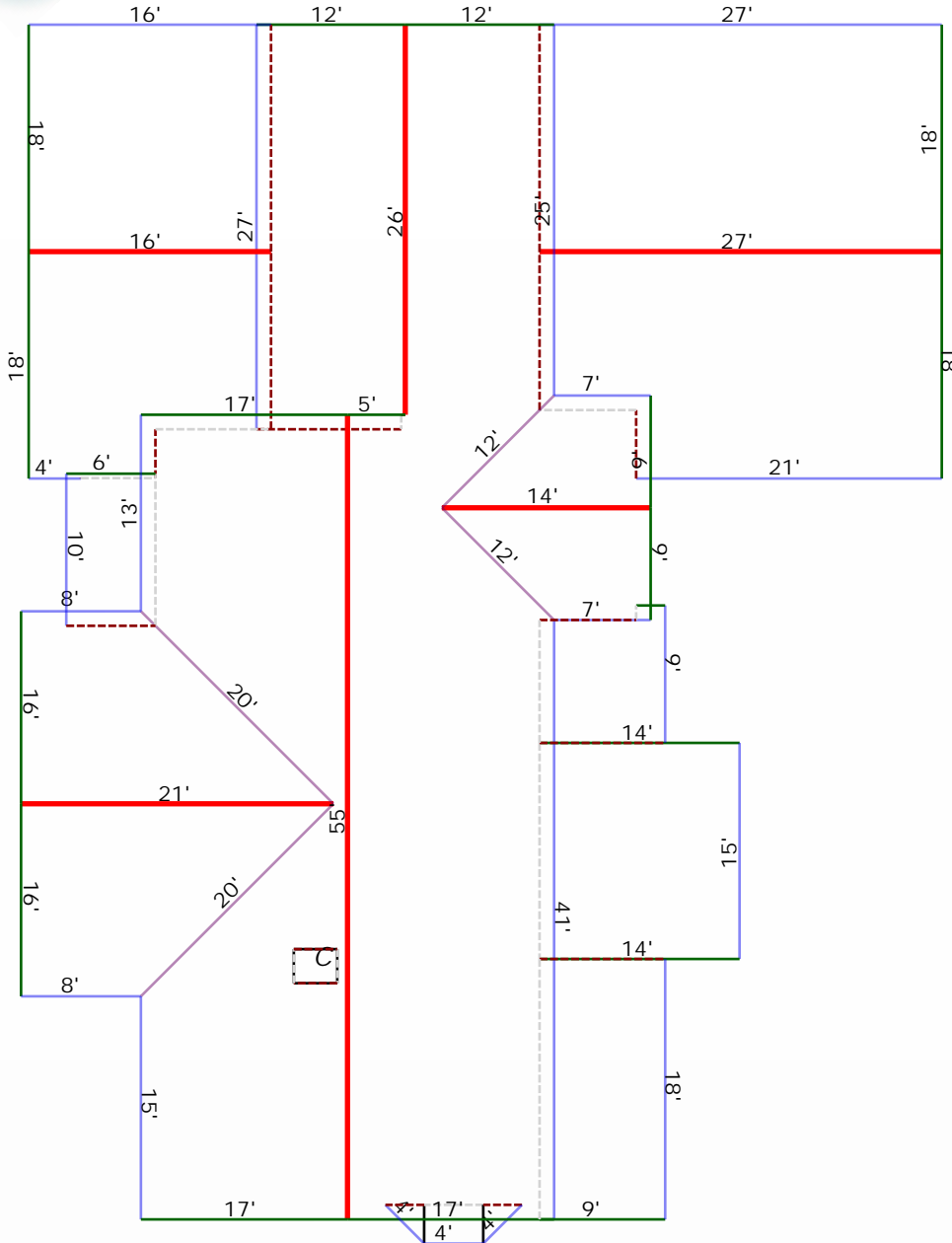


Roofing 1
John-Doe@GMail.com
2811234567
123 Street City, Texas 77095

Property Address:
123 Sample St
Houston, TX 75060

This Report is Made by:
RoofEZ.com
Accurate Measurements, EZ Savings!
We take measuring to the next level

Length Diagram



Ridge Length: 160'
Eave Length: 282'
Rake Length: 248'
Hip Length:
Valley Length: 65'
Step Flashing Length: 131'
Apron Flashing Length: 81'



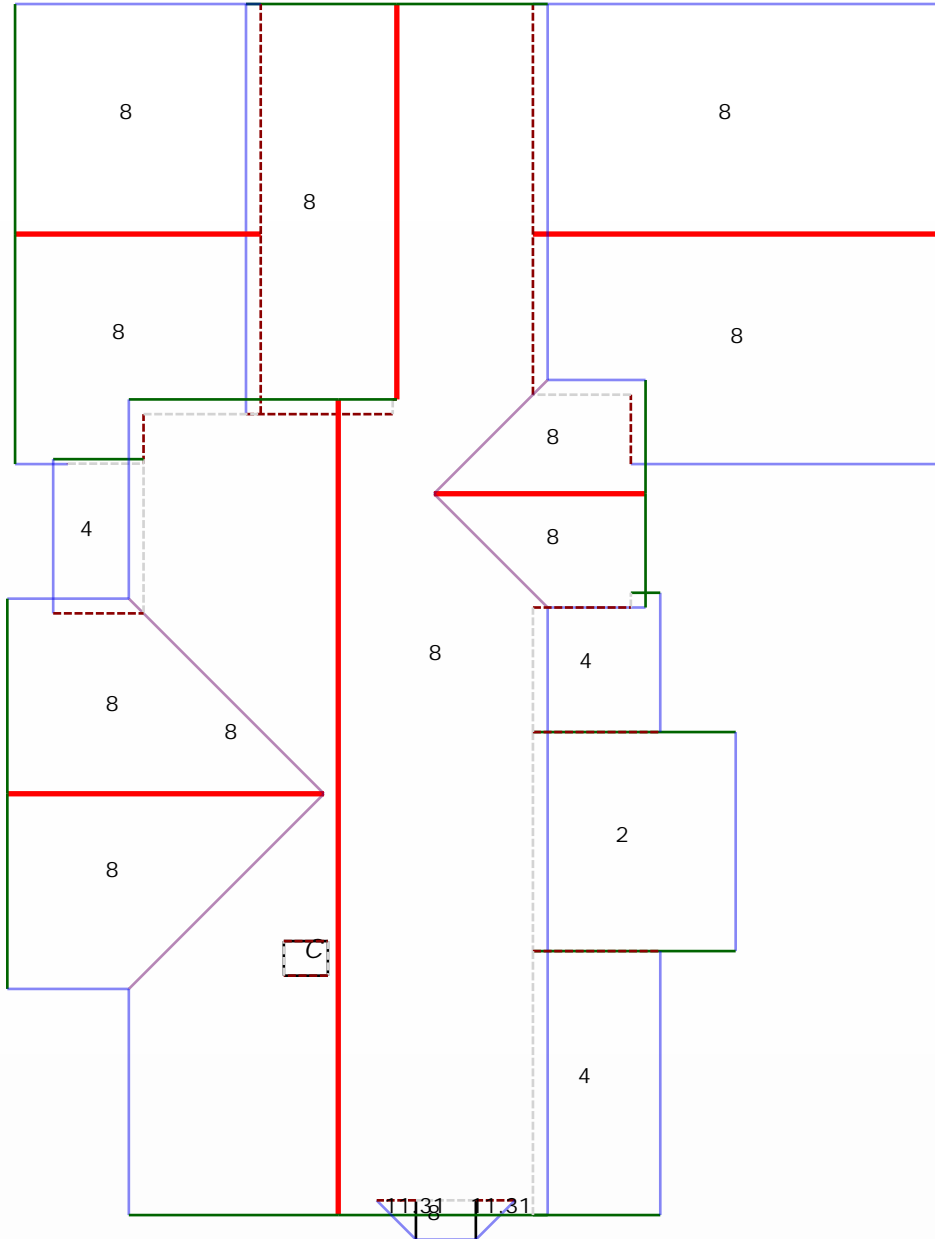


Roofing 1
John-Doe@GMail.com
2811234567
123 Street City, Texas 77095

Property Address:
123 Sample St
Houston, TX 75060

This Report is Made by:
RoofEZ.com
Accurate Measurements, EZ Savings!
We take measuring to the next level

Pitch Diagram



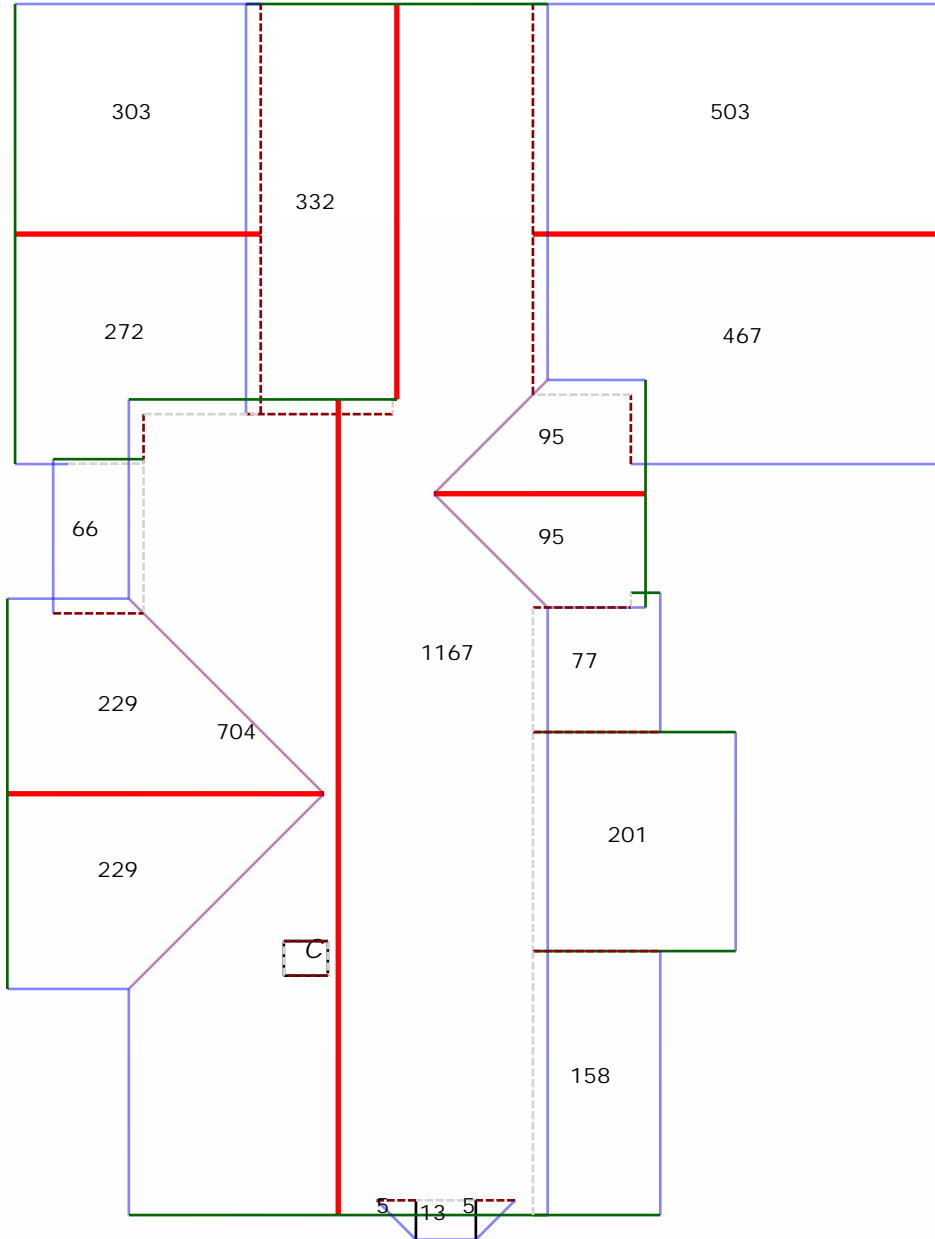


Roofing 1
John-Doe@GMail.com
2811234567
123 Street City, Texas 77095

Property Address:
123 Sample St
Houston, TX 75060

This Report is Made by:
RoofEZ.com
Accurate Measurements, EZ Savings!
We take measuring to the next level

Area Diagram



Total Squares: 49SQ
Total Area: 4919sqft
Total Planes: 23



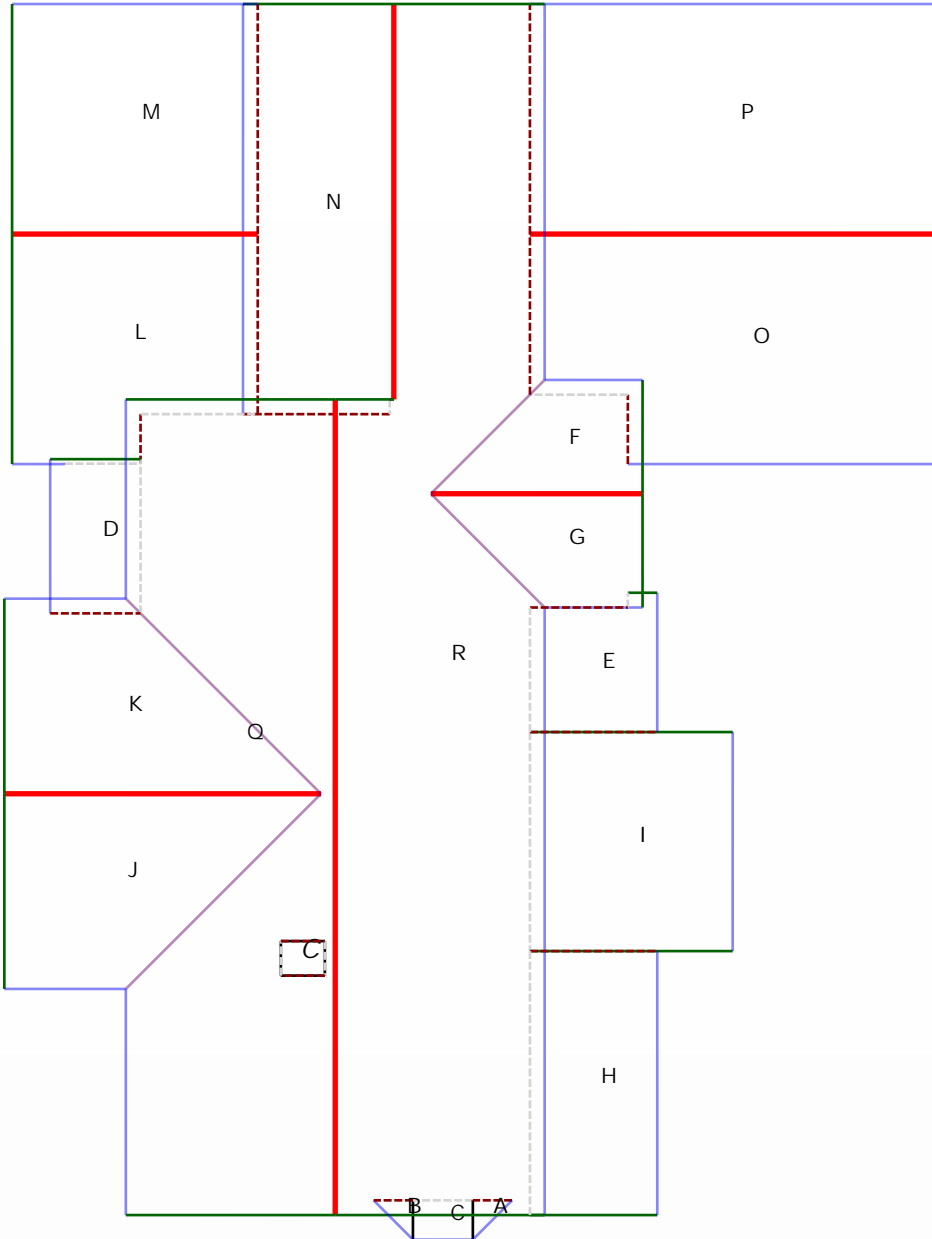
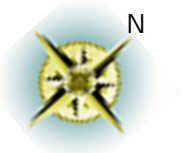


Roofing 1
 John-Doe@GMail.com
 2811234567
 123 Street City, Texas 77095

Property Address:
 123 Sample St
 Houston, TX 75060

This Report is Made by:
RoofEZ.com
 Accurate Measurements, EZ Savings!
 We take measuring to the next level

Notes Diagram



- A : 5 sqft.
- B : 5 sqft.
- C : 13 sqft.
- D : 66 sqft.
- E : 77 sqft.
- F : 95 sqft.
- G : 95 sqft.
- H : 158 sqft.
- I : 201 sqft.
- J : 229 sqft.
- K : 229 sqft.
- L : 272 sqft. (7 edges, 2 planes)
- M : 303 sqft.
- N : 332 sqft.
- O : 467 sqft. (6 edges, 2 planes)
- P : 503 sqft.
- Q : 704 sqft. (9 edges, 2 planes)
- R : 1167 sqft. (9 edges, 2 planes)
- CHIMNEY(s) : 1 planes.



Roofing 1
John-Doe@GMail.com
2811234567
123 Street City, Texas 77095

Property Address:
123 Sample St
Houston, TX 75060

This Report is Made by:
RoofEZ.com
Accurate Measurements, EZ Savings!
We take measuring to the next level



Top View



East View



West View



South View



North View



Roofing 1
 John-Doe@GMail.com
 2811234567
 123 Street City, Texas 77095

Property Address:
 123 Sample St
 Houston, TX 75060

This Report is Made by:
RoofEZ.com
 Accurate Measurements, EZ Savings!
 We take measuring to the next level

Waste calculation

Waste %	0%	5%	10%	15%	20%	25%
Area (sqft)	4,919	5,165	5,411	5,657	5,903	6,149
Squares:	49.2SQ	51.7SQ	54.1SQ	56.6SQ	59.0SQ	61.5SQ

Only roof area is included in these waste calculations.
 Additional materials needed for ridge, hip, valley, and starter lengths are not included.

Roof Summary Information

Total Area: 4919sqft; 49SQ;
 (Slope: 4919sqft; Flat: 0sqft;)
 Ridge Length: 160' (6 ridges)
 Eave Length: 282' (20 eaves)
 Rake Length: 248' (19 rakes)
 Hip Length: (0 hips)
 Valley Length: 65' (4 valleies)
 Apron Flashing: 81'
 Step Flashing: 131'
 Chimneys: 1

Major Pitch: 8.00/12
 [sorted by sq ft.]
 Pitch: 8.00/12 Area: 4408sqft
 Pitch: 4.00/12 Area: 300sqft
 Pitch: 2.00/12 Area: 201sqft
 Pitch: 11.31/12 Area: 9sqft

[sorted by pitch.]
 Pitch: 11.31/12 Area: 9sqft
 Pitch: 8.00/12 Area: 4408sqft
 Pitch: 4.00/12 Area: 300sqft
 Pitch: 2.00/12 Area: 201sqft

